



CBR1000RR 06-07



PACKING LIST:

2X LINKPIPES

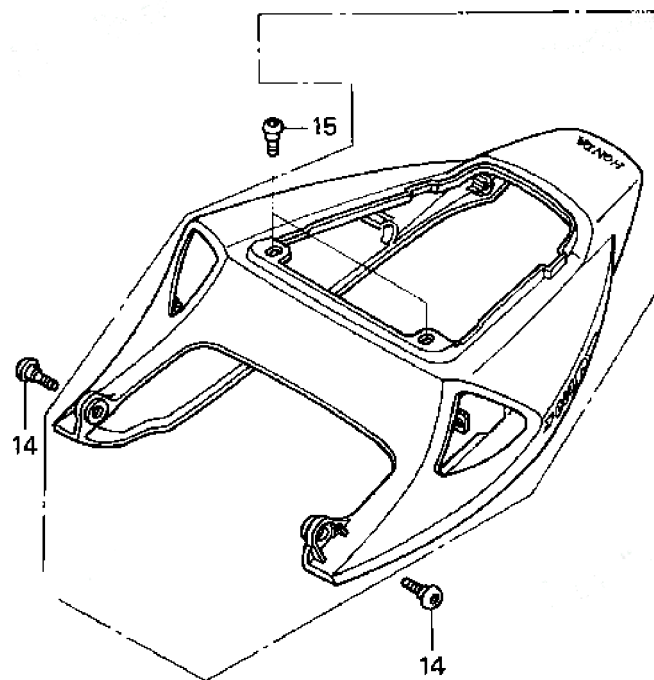
3X CLAMPS

1X SILENCER OF CHOICE

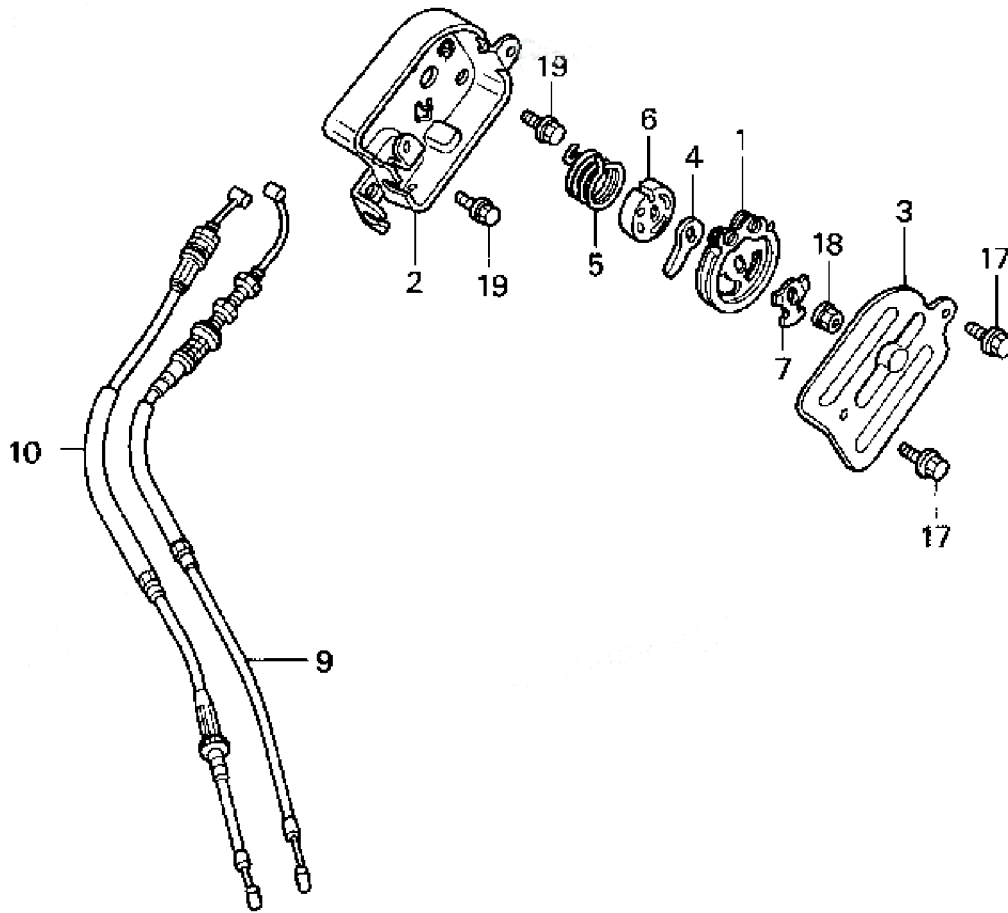
1X SILENCER MOUNTING BRACKET WITH RUBBER STRAP

1X TUBE OF SILICON SEALANT

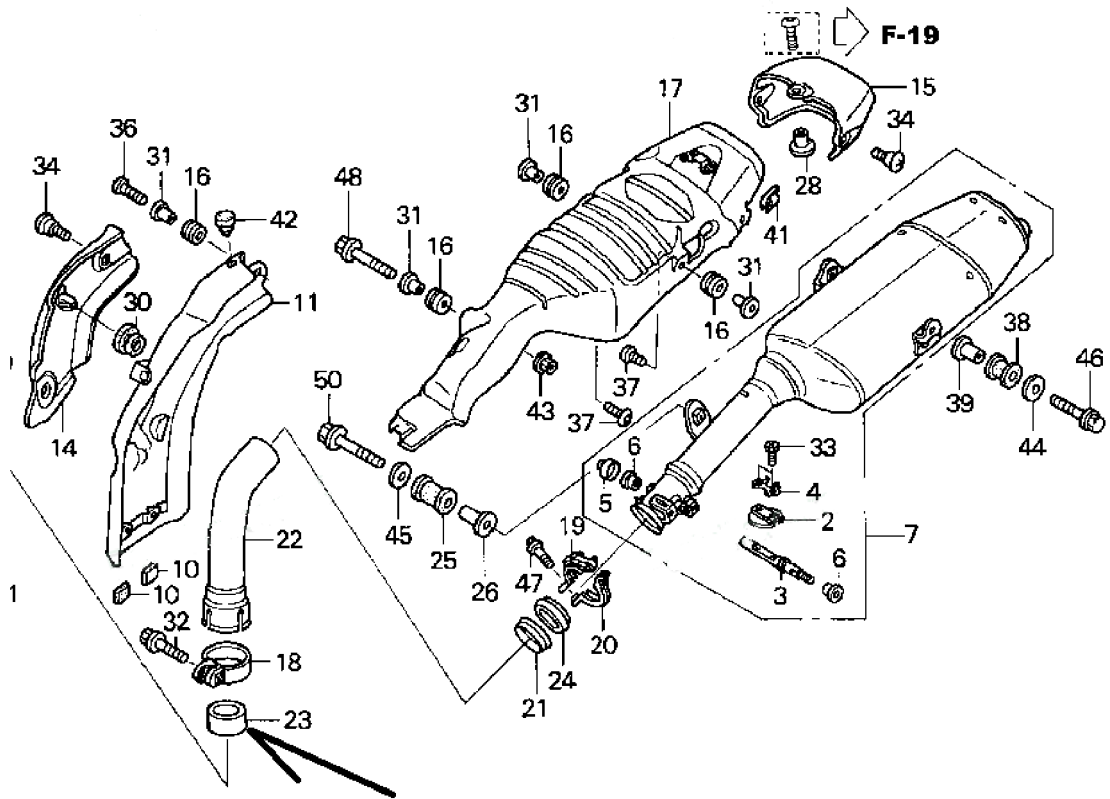
- **We advise that this product is fitted by an experienced motorcycle mechanic.**
- **Please check packing list before you start.**
- **Secure motorcycle on level ground using a paddock stand. Recommended!**
- **Remove seats and seat cowl**



- Remove exhaust valve cables



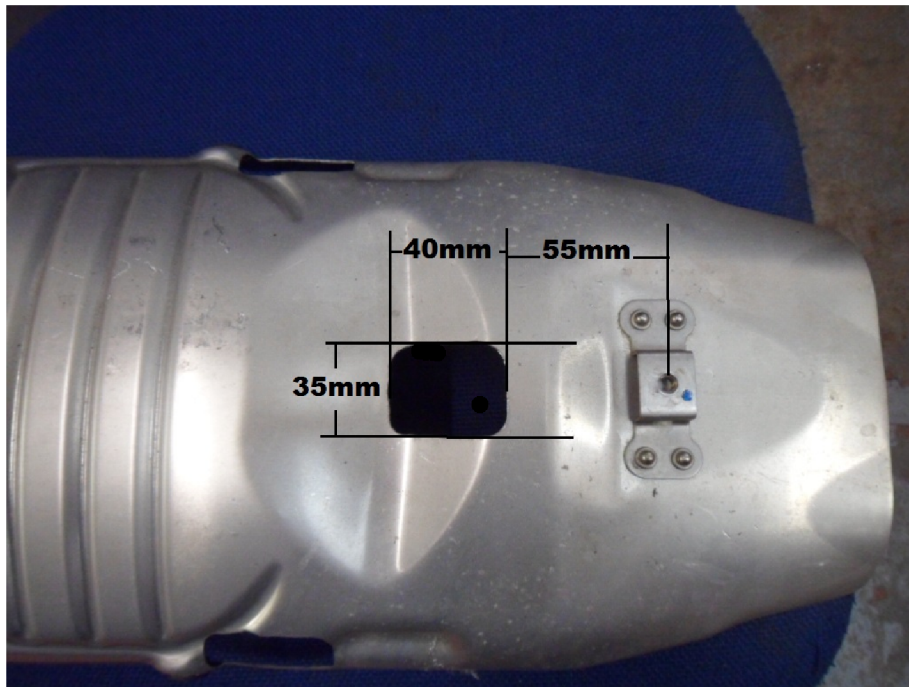
- **Remove standard exhaust system.**



- **Clean collector pipe of old gasket material, dirt and carbon deposits.**

- **Make an access window in the heat shield for the silencer**

mounting bracket and refit to the sub frame.



- **Fit the clamp and insert the long link pipe on to the collector.**
- **Note no gasket is used.**



- **Add the short link pipe and align centrally.**
- **Fit the silencer bracket to the sub frame.**



- **Remove the lower half of the bracket.**

- **Fit the silencer with clamp on to the link pipe and fit the bottom strap around the silencer and to the bracket.**



- **Starting from the front, working rearwards tighten all clamps and fasteners.**
- **Start the engine and check for leaks.**
- **Replace the seat cowl and seats.**
- **After your first ride out, check all fasteners for tightness, especially the baffle bolt.**