



CBR1000RR 04-05



1.

PACKING LIST:

2X LINKPIPES

3X CLAMPS

1X SILENCER OF CHOICE

1X SILENCER MOUNTING BRACKET WITH RUBBER STRAP

2X SPACERS

2X M8 CAP SCREWS

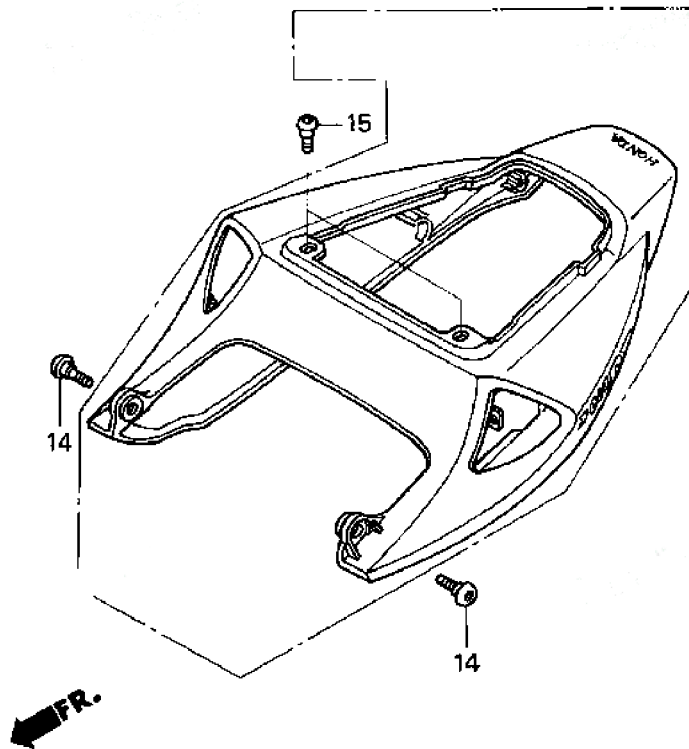
1X M6 CAP SCREW

2X M8 WASHERS

1X M6 WASHER

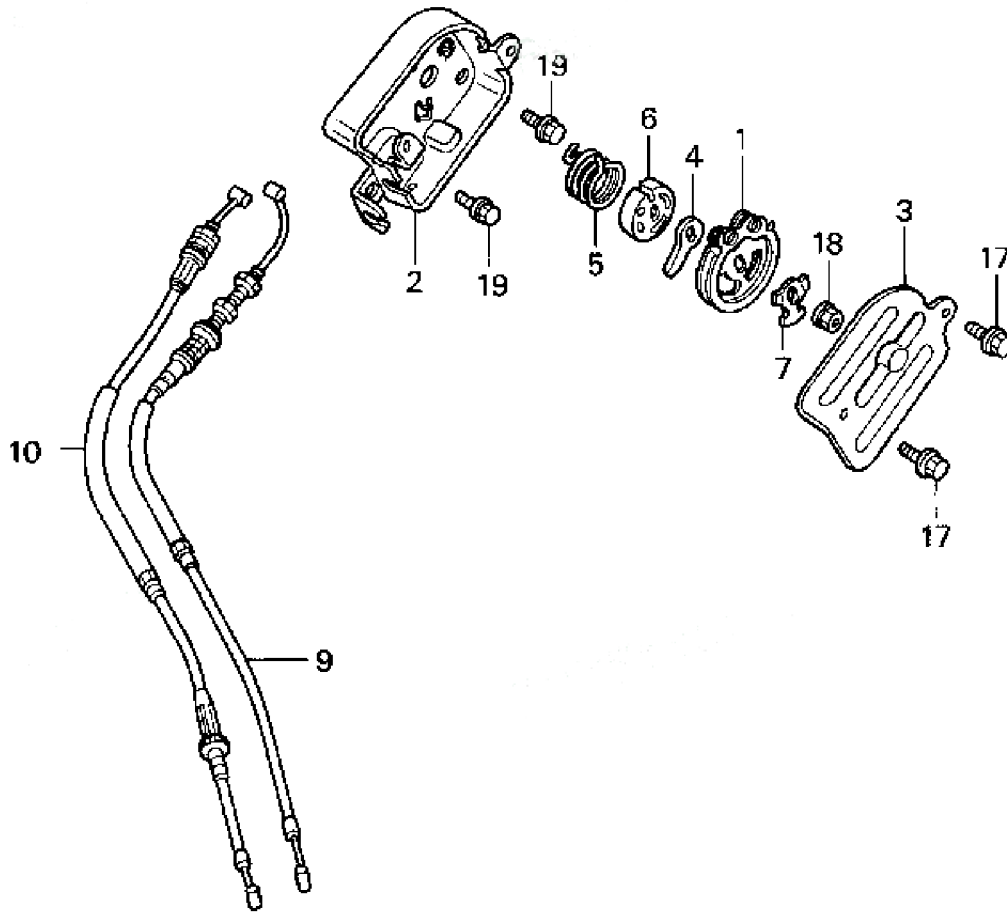
2.

- **We advise that this product is fitted by an experienced motorcycle mechanic.**
- **Please check packing list before you start.**
- **Secure motorcycle on level ground using a paddock stand. Recommended!**
- **Remove seats and seat cowl**



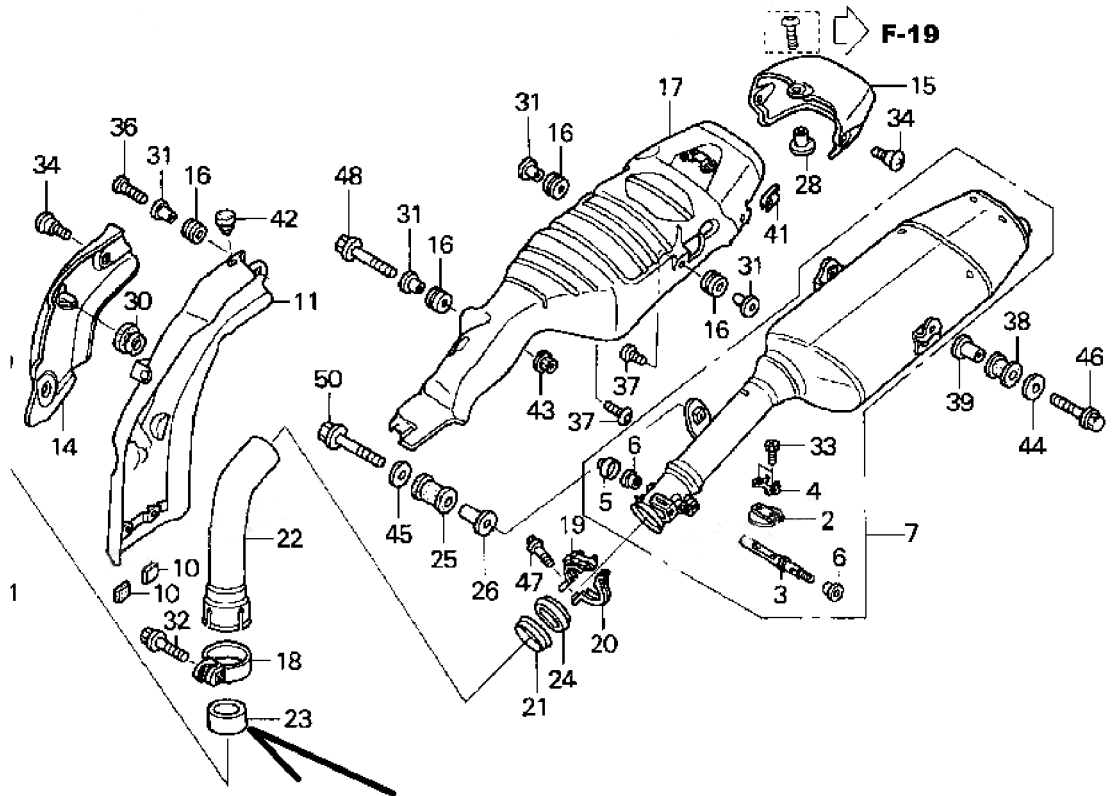
3.

- **Remove exhaust valve cables**



4.

- **Remove standard exhaust system.**



- **Clean collector pipe of old gasket material, dirt and carbon deposits.**

5.

- **Fit clamp and insert the long link pipe on to the collector.**
- **Note no gasket is used.**



- **Add the short link pipe and align centrally.**
- **Fit the silencer bracket with spacers to the sub frame.**



6.

- **Fit silencer with clamp on to the link pipe and fit the bottom strap around the silencer and to the bracket.**



- **Starting from the front, working rearwards tighten all clamps and fasteners.**
- **Start the engine and check for leaks.**
- **Replace seat cowl and seats.**
- **After your first ride out, check all fasteners for tightness, especially the baffle bolt.**